

SIP3.IO TAPIR



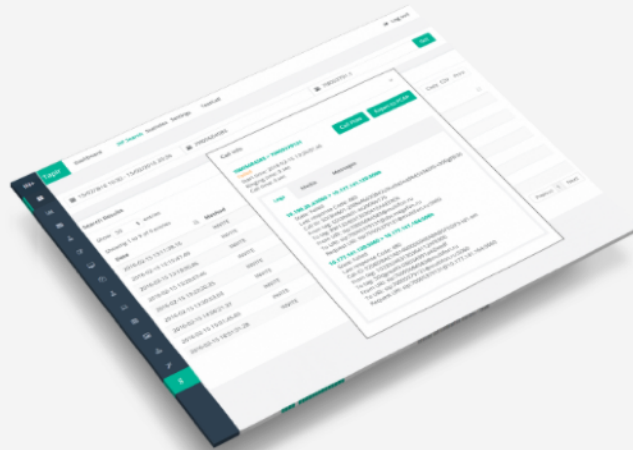
Understandable interface

The interface for a pleasant work. We have done our best for you not to deal with the application, but to work with VoIP.



Data analysis in a real time

By monitoring the communication quality directly during a call, you can quickly solve problems with its worsening.



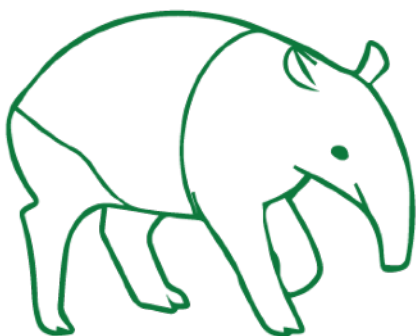
Fantastic performance

No matter how much data is used in your database, you will still receive the information instantly.

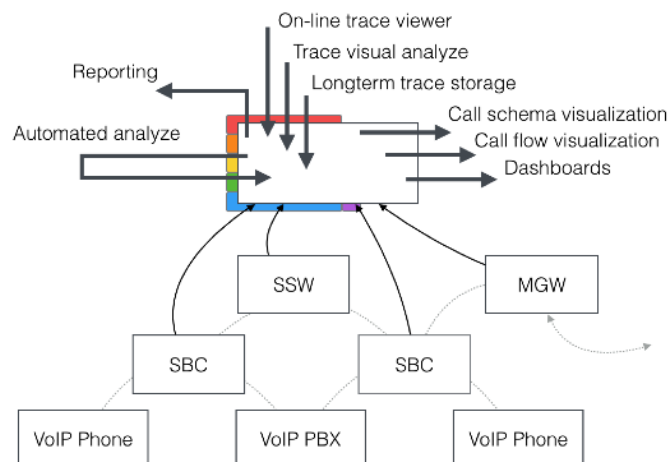


OpenAPI

Limitless capabilities of TECTRAN TAPIR integration in any internal platform or solutions.



The software solution aggregates data from network components and subsystems of the VoIP network, provides their transformation, structured storage, a Web interface for searching and analyzing information about the technical transactions, which provide communication network between subscribers and interaction of technological subsystems.

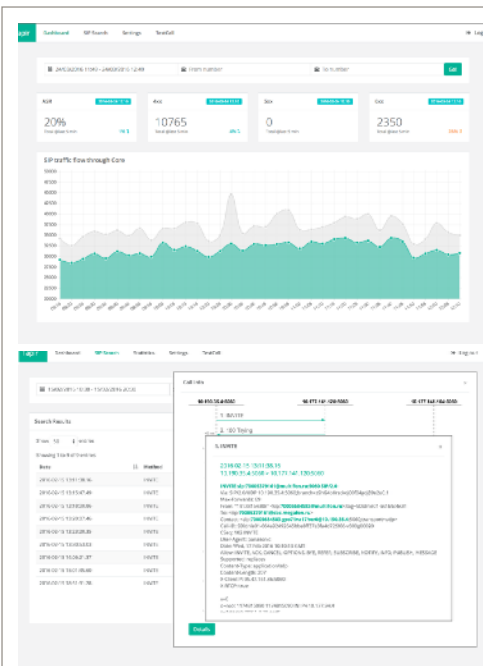


Contact us!

SIP3.IO, Inc
Redwood City, CA
+1 323 6474576

sip3.io
welcome@sip3.io

Architectural levels of SIP3.IO TAPIR architecture overview is presented on the diagram.



- The level of UI Plane - user layer - Tools of interaction with the end user.
- Access Plane Level - server layer of authentication and access control, tracks user sessions, performs user authorisation.
- Level Engines Plane - server software components that provide the processing of user requests and perform basic elements of server-side logic in searching and filtering the information.
- Storage Plane Level - layer of storage subsystem, providing secure storage of information - the components of database management systems, programs that monitor the structuring, integrity and optimal recording, reading and storing of the information.
- Collect Plane Level - a layer of software programs, that "collect" the information and carry out pre-formatting, filtering, tracking the correction of the information gathering processes.
- Management Vertical - a subsystem, which provides synchronisation of the server software layers, forming a single interface of management, monitoring, configuring, and logging of the operations.

Contact us!

SIP3.IO, Inc
Redwood City, CA
+1 323 6474576

sip3.io
welcome@sip3.io